

इंटरनेट

मानक



Disclosure to Promote the Right To Information

Whereas the Parliament of India has set out to provide a practical regime of right to information for citizens to secure access to information under the control of public authorities, in order to promote transparency and accountability in the working of every public authority, and whereas the attached publication of the Bureau of Indian Standards is of particular interest to the public, particularly disadvantaged communities and those engaged in the pursuit of education and knowledge, the attached public safety standard is made available to promote the timely dissemination of this information in an accurate manner to the public.

“जानने का अधिकार, जीने का अधिकार”

Mazdoor Kisan Shakti Sangathan

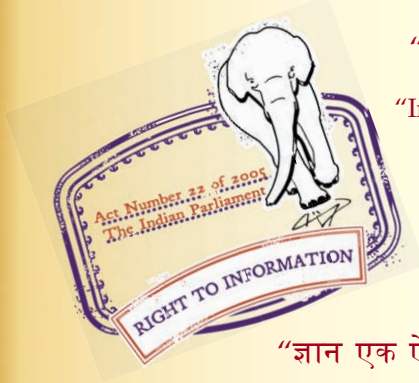
“The Right to Information, The Right to Live”

“पुराने को छोड़ नये के तरफ”

Jawaharlal Nehru

“Step Out From the Old to the New”

IS 9847 (1987): Ice Hammers for Mountaineering [PGD 27: Mountaineering Equipment]



“ज्ञान से एक नये भारत का निर्माण”

Satyanarayan Gangaram Pitroda

“Invent a New India Using Knowledge”



“ज्ञान एक ऐसा खजाना है जो कभी चुराया नहीं जा सकता है”

Bhartrhari—Nitiśatakam

“Knowledge is such a treasure which cannot be stolen”



BLANK PAGE



Indian Standard

**SPECIFICATION FOR
ICE HAMMERS FOR MOUNTAINEERING**

(First Revision)

- 1. Scope** — Specifies the requirements of ice hammers for mountaineering.
- 2. Dimensions** — As given in Fig. 1.
- 3. Material**
 - 3.1 Head** — Steel conforming to Gr 40 Ni3Cr 65 Mo55 of IS : 5517-1978 'Specification for steels for hardening and tempering (first revision)'.
 - 3.2 Handle** — The handle shall be forged in one piece from suitable aluminium alloy.
 - 3.3 Hand Grip** — Hand grip shall be manufactured from natural rubber with hardness 55 to 60° and having the tensile strength 15 000 kN/m².
 - 3.4 Thong** — Nylon tape with the minimum breaking strength of 190 kN or nylon cord of braided construction with the minimum breaking strength of 178 kN.
 - 3.5 Locking Strip** — Steel conforming to Grade St 34 of IS : 1079-1973 'Specification for hot-rolled carbon steel sheet and strip (third revision)'.
- 4. Hardness** — The ice hammer shall have a hardness of 350 to 450 HV.
- 5. Impact Test** — Shall be carried out at -40°C and shall yield minimum 27 J.
- 6. Workmanship and Finish** — The hammer head shall be soundly forged in one piece. The handle and hammer head shall be squarely fitted. The handle shall be provided with a suitable hand grip.
- 7. Marking** — Each ice hammer shall be legibly and indelibly stamped or marked with the manufacturer's name or recognized trade-mark.
 - 7.1 Certification Marking** — Details available with the Bureau of Indian Standards.

EXPLANATORY NOTE

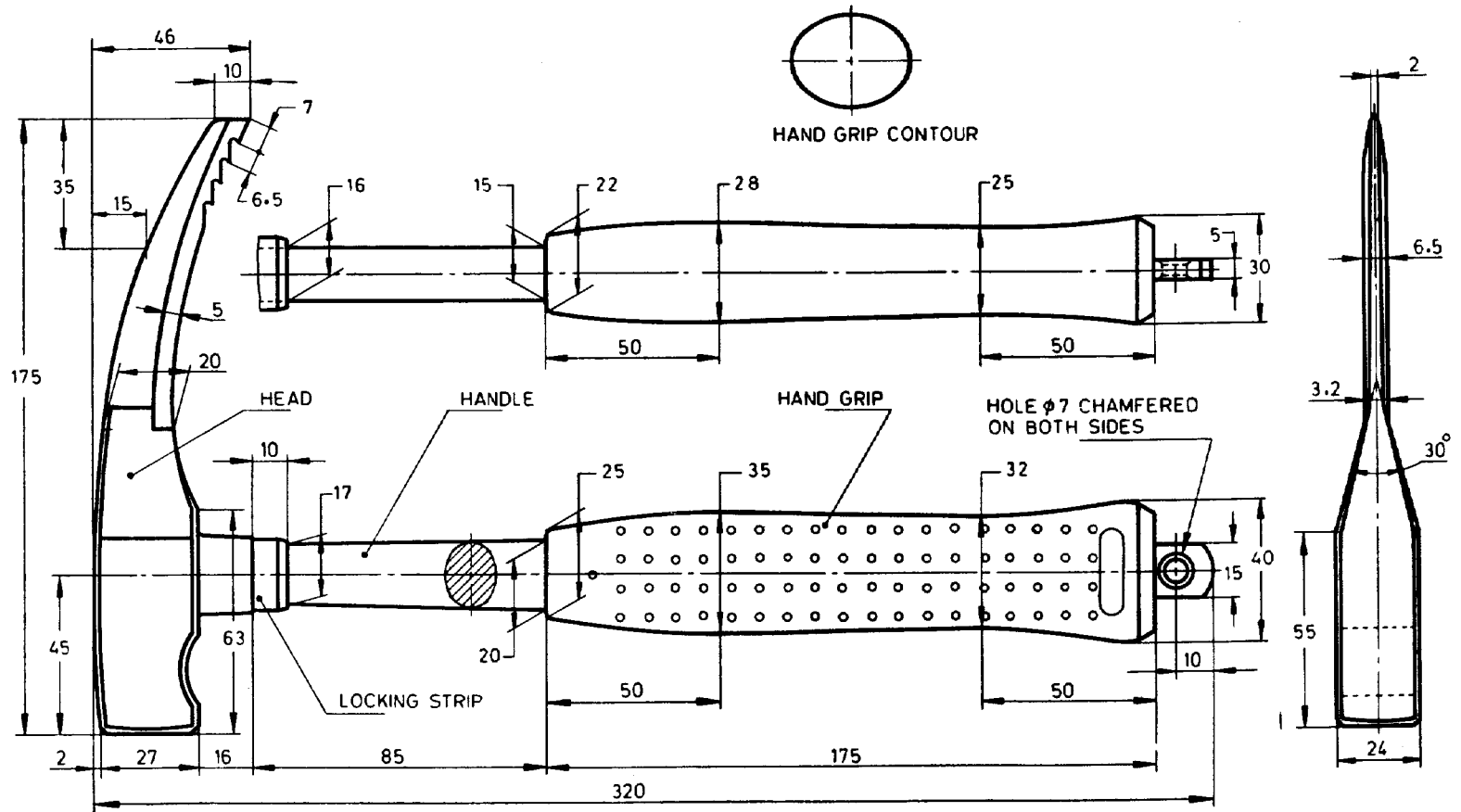
This standard was first published in 1981. In this revision, the major changes are that of material. The change in material has been recommended by Research and Development Organization (Defence Metallurgical Laboratory) after actual investigation of the imported components received from Research & Development Estt. (Engr) as per Report 5/83. In adoption, impact test has been added and the requirements of mass has been deleted. The requirement of hardness has also been modified.

Adopted 15 July 1987

© January 1988, BIS

Gr 1

BUREAU OF INDIAN STANDARDS
MANAK BHAVAN, 9 BAHADUR SHAH ZAFAR MARG
NEW DELHI 110002



All dimensions in millimetres.

FIG. 1 DIMENSIONS FOR ICE HAMMER